

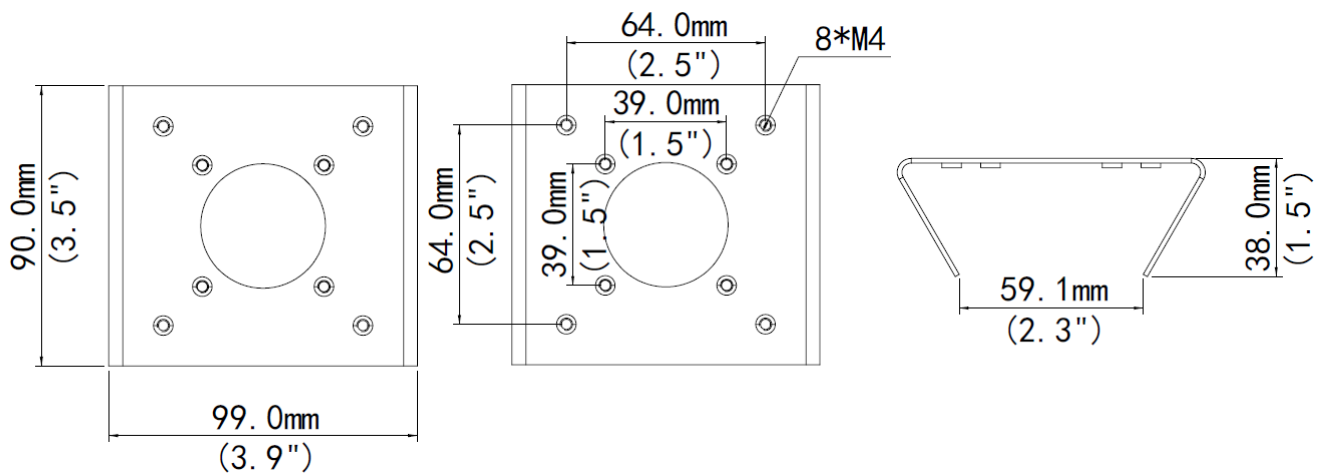
TR-UP06-A-IN Pole Mount Adapter



Specifications

Bracket	TR-UP06-A-IN
Application	Outdoor, pole or rail installation for bullet camera of IPC22X and IPC24X series
Dimensions(L × W × H)	99mmx90mmx38mm (3.9"x3.5"x1.5")
Weight	0.2kg(0.44lb)
Material	Galvanized sheet

Dimensions



Zhejiang Uniview Technologies Co.,Ltd.

South Tower, Building 10, Wanlun Science Park, 88 Jiangling Road, Hangzhou, P.R.China 310051

Email: overseasbusiness@uniview.com; globalsupport@uniview.com

<http://www.uniview.com>

©2013 Zhejiang Uniview Technologies Co.,Ltd. All rights reserved.

*Product specifications and availability are subject to change without notice.