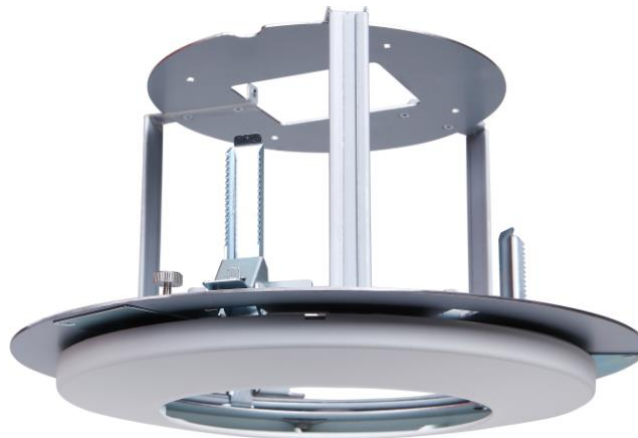


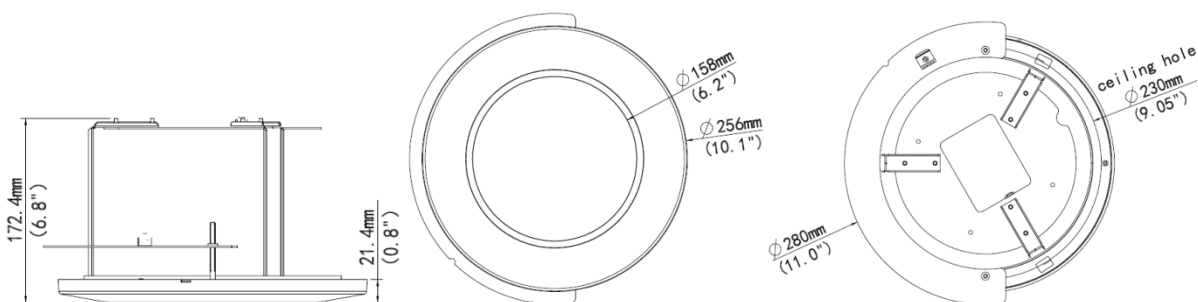
TR-FM200-IN Indoor PTZ Dome In-ceiling Mount



Specifications

Bracket	TR-FM200-IN
Application	Indoor, indoor PTZ dome in-ceiling installation
Dimensions	Φ280mmx172.4mm(Φ11"x6.8") In-ceiling hole: Φ230mm(Φ9.05")
Weight	2kg(4.4lb)
Material	Sheet metal and ABS

Dimensions



Zhejiang Uniview Technologies Co.,Ltd.

South Tower, Building 10, Wanlun Science Park, 88 Jiangling Road, Hangzhou, P.R.China 310051

Email: overseasbusiness@uniview.com; globalsupport@uniview.com

<http://www.uniview.com>

©2013 Zhejiang Uniview Technologies Co.,Ltd. All rights reserved.

*Product specifications and availability are subject to change without notice.